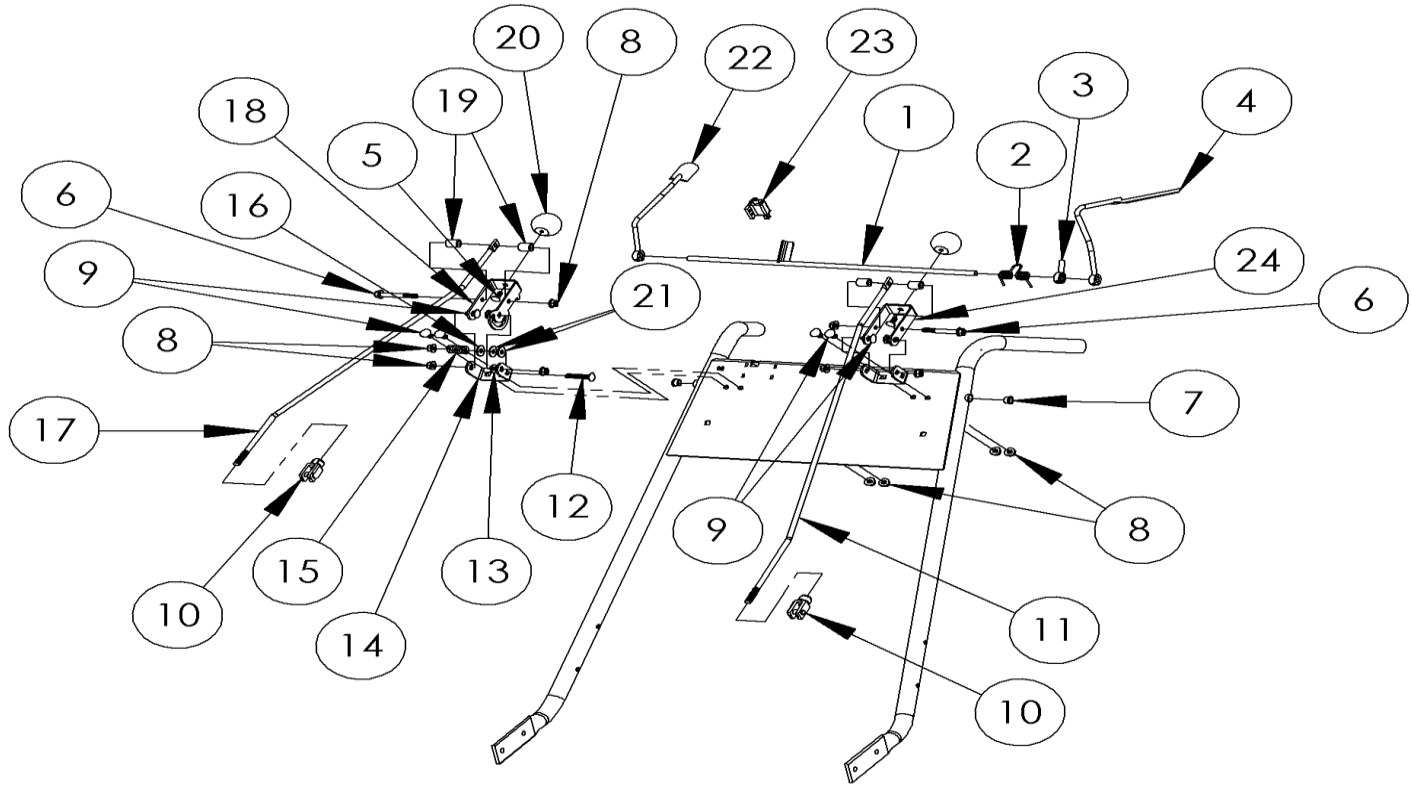
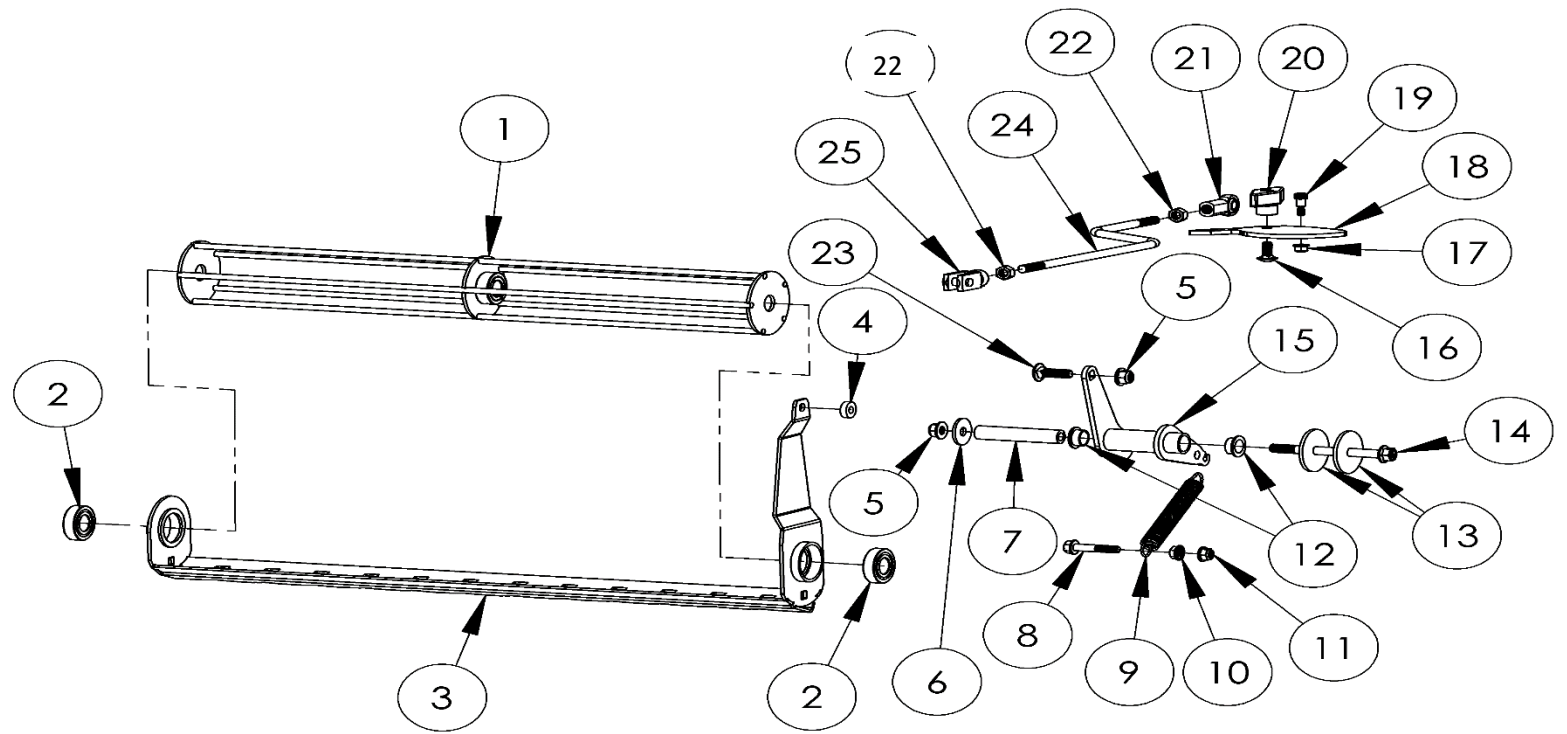


| Item | Description | Part Number | QTY |
|------|----------------------------------|-------------|-----|
| 1 | Seeder Handle Bar | 20-0659 | 1 |
| 2 | Hand Grip | 10-0085 | 2 |
| 3 | 5/16-18 x 1.25 SN Carriage Bolt | 30-0411 | 2 |
| 4 | 5/16-18 Nylock Flange Nut | 30-0051 | 6 |
| 5 | Counter Weight | 10-1278 | 3 |
| 6 | Handle Brace (L) | 10-1255 | 1 |
| 7 | 5/16-18 x 1.75" SN Carriage Bolt | 30-0067 | 4 |
| 8 | Handle Brace (R) | 10-1256 | 1 |
| 9 | 3/8-16 x .75" SN Carriage Bolt | 30-1339 | 6 |
| 10 | 3/8-24 Flange Lock Nut | 30-0184 | 2 |
| 11 | 3/8-24 Rod End | 40-0183 | 2 |
| 12 | 3/8-24 Hex Nut | 30-0487 | 2 |
| 13 | Control Rod | 40-0729 | 1 |
| 14 | 3/8-16 Flange Nylock Nut | 30-0105 | 6 |
| 15 | Coved Spacer | 30-0052 | 4 |
| 16 | ¼ x 1.75" Shoulder Bolt | 30-0111 | 1 |
| 17 | FWD/REV Motion Control | 10-0722 | 1 |
| 18 | 10-24 Nylock Flange Nut | 30-0103 | 1 |



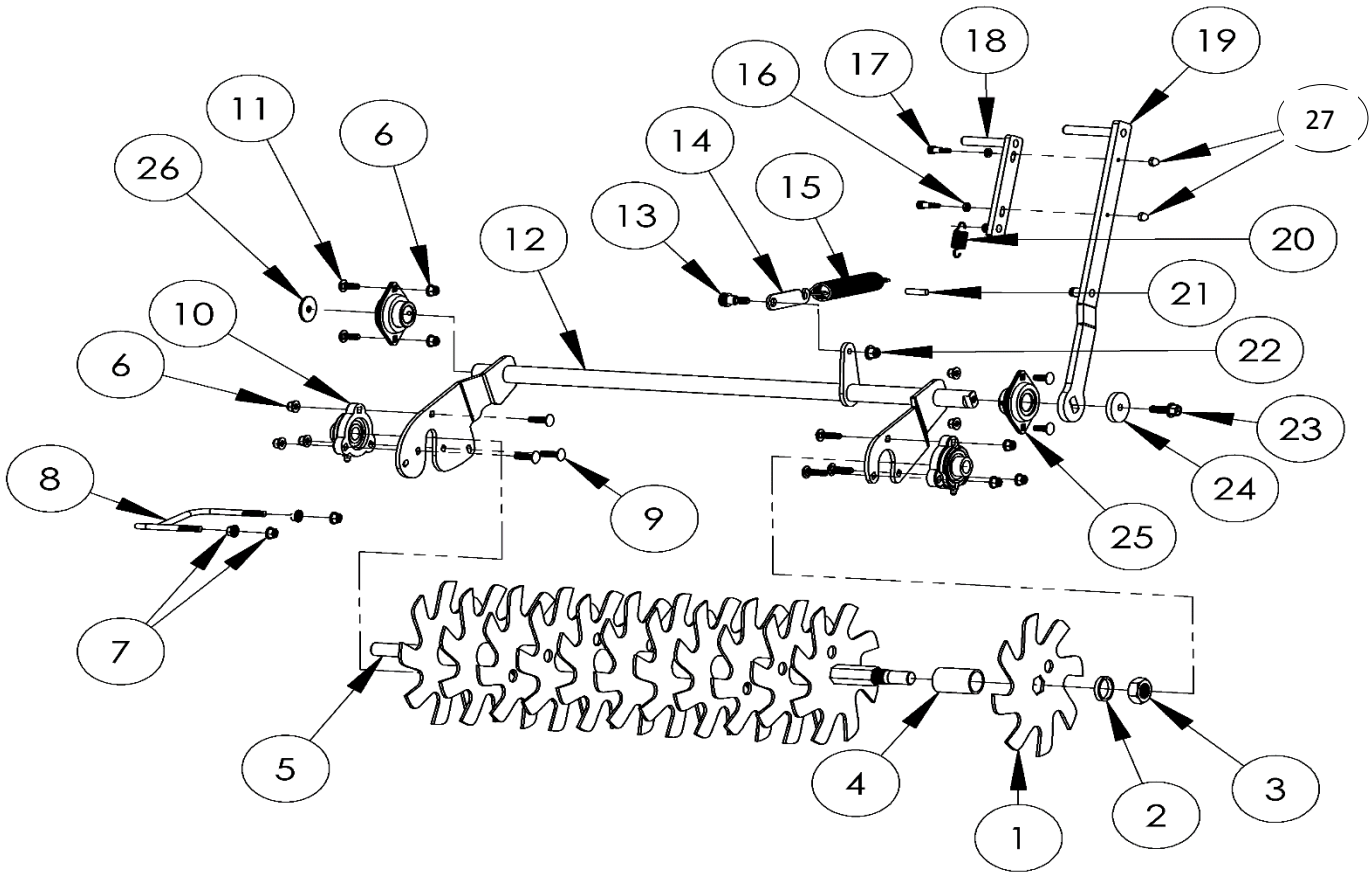
| Item | Description | Part Number | QTY |
|------|-----------------------------------|-------------|-----|
| 1 | OP Switch Pivot Shaft | 20-1277 | 1 |
| 2 | OP Spring | 10-1388 | 1 |
| 3 | Spring Stop | 20-1386 | 1 |
| 4 | OP Handle Left | 20-1217 | 1 |
| 5 | 1/4-20 x .75" SN Carriage Bolt | 30-0943 | 2 |
| 6 | 5/16-18 x 2.5" PT Hex Flange Bolt | 30-1665 | 2 |
| 7 | 3/8" Bushing | 30-0045 | 2 |
| 8 | 5/16-18 Nylock Nut | 30-0051 | 11 |
| 9 | 5/16-18 x .75" SN Carriage Bolt | 30-0412 | 8 |
| 10 | 3/8-24 Yoke End | 40-0424 | 2 |
| 11 | Seed Flow Rod | 10-0755 | 1 |
| 12 | 5/16-18 x 1.75" SN Carriage Bolt | 30-0067 | 1 |
| 13 | Small Friction Washer | 30-1544 | 1 |
| 14 | Control Base | 10-0736 | 2 |
| 15 | Spring | 10-1543 | 1 |
| 16 | Flat Washer | 30-1659 | 1 |
| 17 | Blade Engage Rod | 10-0739 | 1 |
| 18 | Control Lever Right | 10-0737 | 1 |
| 19 | 5/16 ID – 5/8" OD x .75" Spacer | 10-1233 | 4 |
| 20 | Ball Knob | 10-1234 | 2 |
| 21 | Big Friction Washer | 30-1658 | 2 |
| 22 | OP Handle Right | 20-1218 | 1 |

| | | | |
|----|----------------------------|---------|---|
| 23 | NC Switch | 50-1228 | 2 |
| 24 | Control Lever Left | 10-1280 | 1 |
| 25 | Wiring Harness (Not Shown) | 50-0045 | 1 |



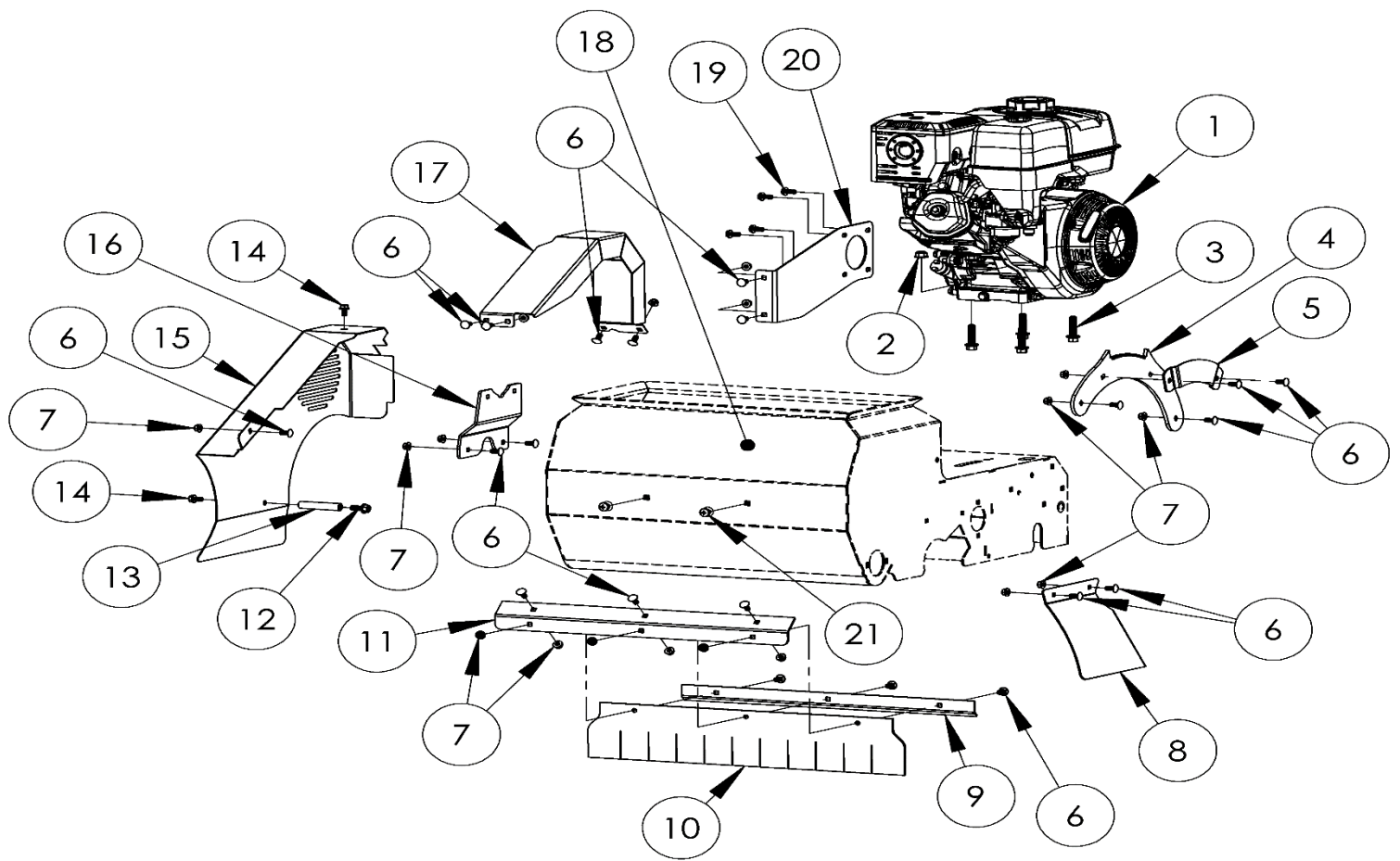
| Item | Description | Part Number | QTY |
|------|---------------------------------|-------------|-----|
| 1 | Seed Mixer | 20-0205 | 1 |
| 2 | 3/4" Roller Bearing | 40-0682 | 2 |
| 3 | Seed Gate | 20-1302 | 1 |
| 4 | 3/8" Spacer | 30-1307 | 1 |
| 5 | 3/8-16 Nylock Flange Nut | 30-0105 | 1 |
| 6 | Flat Washer | 30-0910 | 1 |
| 7 | Spacer | 10-1304 | 1 |
| 8 | 5/16-18 x 1.75" Flange Hex Bolt | 30-0248 | 1 |
| 9 | Spring | 10-1024 | 1 |
| 10 | 5/16-18 Serrated Flange Nut | 30-0249 | 1 |
| 11 | 5/16-18 Nylock Flange Nut | 30-0051 | 1 |
| 12 | Bushing | 40-1150 | 2 |
| 13 | Flat Washer | 10-1305 | 2 |
| 14 | 3/8-16 x 4.0" Hex Flange Bolt | 30-2587 | 1 |
| 15 | Bell Crank | 20-0751 | 1 |
| 16 | 5-16-18 x 1.0" SN Carriage Bolt | 30-0374 | 1 |
| 17 | 1/4-20 Nylock Nut | 30-0061 | 1 |
| 18 | Seed Dial | 10-0754 | 1 |
| 19 | 5/16 x .25" Shoulder Bolt | 30-0732 | 1 |
| 20 | 5/16-18 x 2.5" T-Knob | 30-0287 | 1 |
| 21 | 3/8" Rod End | 40-0813 | 2 |
| 22 | 3/8-24 Hex Nut | 30-0487 | 2 |

| | | | |
|----|-----------------------------|---------|---|
| 23 | 3/8-16 x 1.25 Carriage Bolt | 30-0416 | 1 |
| 24 | Seed Rod Front | 10-0752 | 1 |
| 25 | 3/8-24 Yoke End | 40-0424 | 1 |

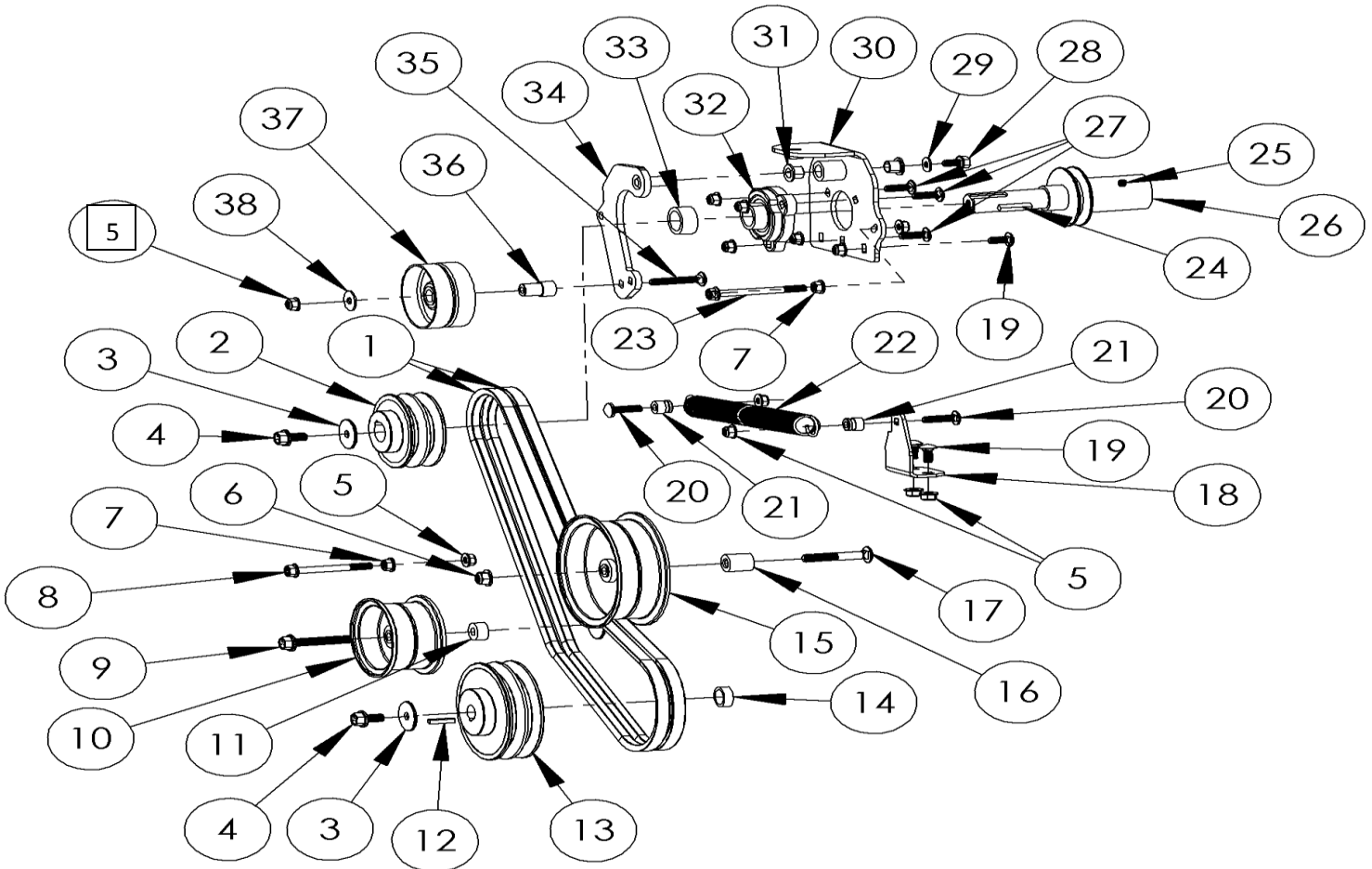


| Item | Description | Part Number | QTY |
|------|---------------------------------|-------------|-----|
| 1 | Seeder Blade | 10-0186 | 12 |
| 2 | Spacer | 10-0688 | 1 |
| 3 | 7/8-14 Jam Hex Nut | 30-0319 | 1 |
| 4 | Spacer | 10-0687 | 11 |
| 5 | Cutter Shaft | 20-0192 | 1 |
| 6 | 5/16-18 Nylock Nut | 30-0051 | 10 |
| 7 | 5/16-18 Serrated Flange Nut | 30-0249 | 4 |
| 8 | Belt Restraint | 10-0158 | 1 |
| 9 | 5/16-18 x 1.0" SN Carriage Bolt | 30-0374 | 6 |
| 10 | 3/4" 3-Bolt Flange Bearing AG | 40-0198 | 2 |
| 11 | 5/16-18 x .75" SN Carriage Bolt | 30-0412 | 4 |
| 12 | Cutter Shaft Lift ASM | 20-0690 | 1 |
| 13 | 1/2 x 3/8 Shoulder Bolt | 30-0434 | 1 |
| 14 | Spring Bracket | 10-1317 | 1 |
| 15 | Counter Balance Spring | 10-1326 | 1 |
| 16 | Washer | 30-1728 | 2 |
| 17 | 5/16 x 3/8" Shoulder Bolt | 30-1644 | 2 |
| 18 | Depth Lock | 20-1348 | 1 |
| 19 | Depth Arm | 20-1349 | 1 |
| 20 | Spring | 10-1384 | 1 |
| 21 | 5/16 x 1" Post | 10-1387 | 1 |
| 22 | 3/8-16 Nylock Flange Nut | 30-0105 | 1 |

| | | | |
|----|------------------------------------|---------|---|
| 23 | 3/8-16 x 1.0" Serrated Flange Bolt | 30-0382 | 1 |
| 24 | Washer | 10-0760 | 1 |
| 25 | 1" Flange Bearing | 40-0201 | 2 |
| 26 | 3/8" Flat Washer | 30-1327 | 1 |
| 27 | ¼-20 Acorn Nut | 30-1731 | 2 |

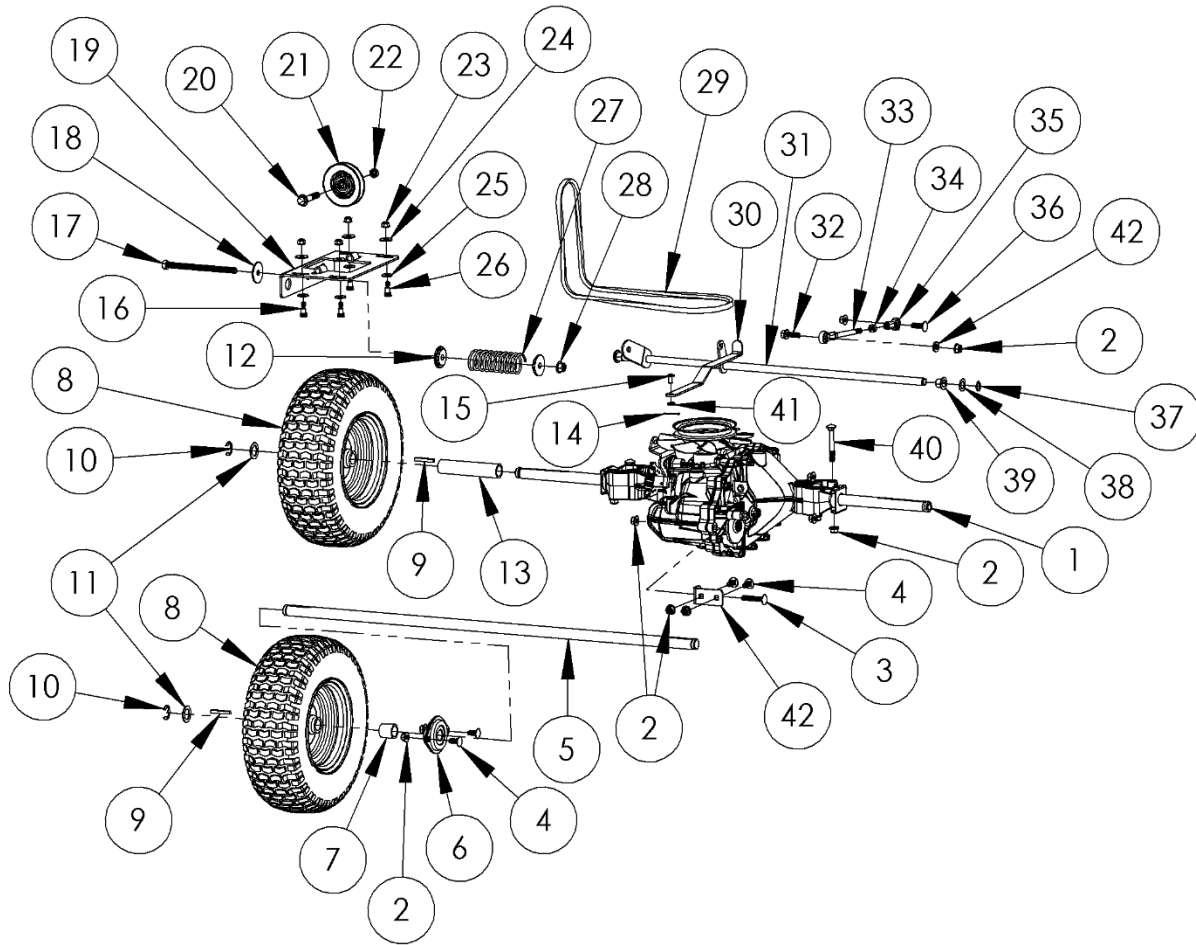


| Item | Description | Part Number | QTY |
|------|---|-------------|-----|
| 1 | Honda Engine GX390 | 40-0194 | 1 |
| 2 | 7/16-14 Flange Nylock Nut | 30-0050 | 4 |
| 3 | 7/16-14 x 1.75" Hex Flange Bolt | 30-1340 | 4 |
| 4 | Depth Bracket | 10-0709 | 1 |
| 5 | Outer Depth Bracket | 10-0735 | 1 |
| 6 | 5/16-18 x .75" SN Carriage Bolt | 30-0412 | 21 |
| 7 | 5/16-18 Nylock Flange Nut | 30-0051 | 21 |
| 8 | Toe Guard | 10-0769 | 1 |
| 9 | Debris Bracket | 10-1298 | 1 |
| 10 | Rubber Flap | 10-1295 | 1 |
| 11 | Debris Bracket | 10-0721 | 1 |
| 12 | 3/8-16 x 1.0" Serrated Flange Bolt | 30-0382 | 1 |
| 13 | Belt Cover Spacer | 10-1331 | 1 |
| 14 | 5/16-18x.625" Serrated Hex Flange Bolt | 30-0911 | 2 |
| 15 | Belt Cover | 10-0713 | 1 |
| 16 | Lower Bearing Bracket | 10-0715 | 1 |
| 17 | Inner Belt Cover | 10-0749 | 1 |
| 18 | Seeder Frame | 10-0191 | 1 |
| 19 | 5/16-24 x .75" Serrated Hex Flange Bolt | 30-0912 | 4 |
| 20 | Seeder Engine Brace | 10-1311 | 1 |
| 21 | 3/8-16 x .5" Phillip Screw | 30-1993 | 2 |



| Item | Description | Part Number | QTY |
|------|--|-------------|-----|
| 1 | Belt | 40-0663 | 2 |
| 2 | Double A 1" Bore Pulley | 40-0707 | 1 |
| 3 | Washer | 30-1327 | 3 |
| 4 | 3/8-16 x .75 Serrated Flange Hex Bolt | 30-0382 | 2 |
| 5 | 5/16-18 Nylock Flange Nut | 30-0051 | 12 |
| 6 | 3/8-16 Flange Nylock Nut | 30-0105 | 1 |
| 7 | 5/16-18 Serrated Hex Flange Nut | 30-0249 | 2 |
| 8 | 5/16-18 x 3.0" Hex Flange Bolt | 30-1351 | 1 |
| 9 | 3/8-16 x 2.0" Serrated Hex Flange Bolt | 30-1652 | 1 |
| 10 | Flat Idler | 101237 | 1 |
| 11 | Spacer | 10-1382 | 1 |
| 12 | 3/16 x 3/16 x 1.0" Key | 30-1649 | 1 |
| 13 | Double A Pulley 3/4" Bore | 40-0706 | 1 |
| 14 | Spacer | 40-0198 | 1 |
| 15 | 5" Flat Idler | 40-0661 | 1 |
| 16 | Idler Spacer | 10-0771 | 1 |
| 17 | 3/8-16 2.5" SN Carriage Bolt | 30-0925 | 1 |
| 18 | Spring Bracket | 10-0764 | 1 |
| 19 | 5/16-18 x .75" SN Carriage Bolt | 30-0412 | 4 |
| 20 | 5/16-18 x 1.25 SN Carriage Bolt | 30-0411 | 2 |
| 21 | Spring Spacer | 10-0765 | 2 |
| 22 | Spring | 10-0761 | 1 |

| | | | |
|----|--|---------|---|
| 23 | 5/16-18 x 3.5" Hex Flange Bolt | 30-1352 | 1 |
| 24 | ¼ x ¼ x 1.25" Key Stock | 30-1650 | 1 |
| 25 | ¼-20 Set Screw | 30-1651 | 1 |
| 26 | Seeder Engine Pulley | 40-0714 | 1 |
| 27 | 5/16-18 x 1.0" SN Carriage Bolt | 30-0374 | 3 |
| 28 | 5/16-18 x .625" Serrated Flange Hex Bolt | 30-0911 | 1 |
| 29 | Flat Washer | 30-0910 | 1 |
| 30 | Upper Bearing Plate | 20-1313 | 1 |
| 31 | Bushing | 40-0112 | 2 |
| 32 | 1" 3-Bolt Flange Bearing | 40-0475 | 1 |
| 33 | Spacer | 10-1451 | 1 |
| 34 | Tension Arm | 20-0718 | 1 |
| 35 | 5/16-18 x 2" Carriage Bolt | 30-1336 | 1 |
| 36 | Pulley Spacer | 10-1335 | 1 |
| 37 | 4" Flat Idler Pulley | 40-0662 | 1 |
| 38 | Flat Washer | 30-0910 | 1 |



| Item | Description | Part Number | QTY |
|------|----------------------------------|-------------|-----|
| 1 | T2 Transmission | 40-0190 | 1 |
| 2 | 5/16-18 Nylock Flange Nut | 30-0051 | 13 |
| 3 | 5/16-18 x 1.75" SN Carriage Bolt | 30-0067 | 1 |
| 4 | 5/16-18 x .75" SN Carriage Bolt | 30-0412 | 6 |
| 5 | Front Axle | 10-0202 | 1 |
| 6 | 3/4" 2-Bolt Flange Bearing | 40-0199 | 2 |
| 7 | Spacer | 10-0766 | 2 |
| 8 | 13" Wheel/Tire ASM | 40-0187 | 4 |
| 9 | 3/16 x 3/16 x 1.5" Key Stock | 30-1314 | 4 |
| 10 | 3/4" E-clip | 30-1316 | 4 |
| 11 | Flat Washer | 30-1315 | 4 |
| 12 | Spring Keeper Washer | 10-1305 | 2 |
| 13 | Spacer | 10-0767 | 2 |
| 14 | Cotter Pin | 30-0002 | 1 |
| 15 | 1/4" Clevis Pin | 30-0001 | 1 |
| 16 | 5/16 x 1/4" Shoulder Bolt | 30-0732 | 4 |
| 17 | 3/8-16 x 5.5" Hex Bolt | 30-1326 | 1 |
| 18 | Washer | 30-1327 | 1 |
| 19 | Trans Idler Plate | 20-0697 | 1 |
| 20 | 3/8-16 x 2.0" | 30-0699 | 2 |
| 21 | Idler Pulley A-Section | 40-0693 | 2 |
| 22 | 3/8-16 Nylock Half Nut | 30-0817 | 4 |

| | | | |
|----|---------------------------------|---------|---|
| 23 | ¼-20 Flange Nylock Nut | 30-0061 | 4 |
| 24 | Friction Washer | 30-1658 | 4 |
| 25 | Flat Washer | 30-1334 | 4 |
| 26 | 5/16 x ¼ Shoulder Bolt | 30-0732 | 4 |
| 27 | Compression Spring | 10-1323 | 1 |
| 28 | 3/8-16 Flange Nylock Nut | 30-0105 | 1 |
| 29 | Belt | 40-1324 | 1 |
| 30 | Neutral Lever | 10-1309 | 1 |
| 31 | Pivot ASM | 20-0725 | 1 |
| 32 | 5/16-18 x 1" Flange Hex Bolt | 30-0068 | 1 |
| 33 | Control Rod | 40-1252 | 1 |
| 34 | 5/16-24 Hex Nut | 30-1254 | 2 |
| 35 | 5/16 Rod End | 40-1251 | 2 |
| 36 | 5/16-18 x 1.0" SN Carriage Bolt | 30-0374 | 1 |
| 37 | ½" External Retaining Ring | 30-0422 | 2 |
| 38 | Washer | 30-0423 | 2 |
| 39 | Bushing | 30-0112 | 2 |
| 40 | 5/16-18 x 2.5" Carriage Bolt | 30-0414 | 4 |
| 41 | Washer | 30-0003 | 1 |
| 42 | Transmission Torque Bracket | 10-0743 | 1 |

