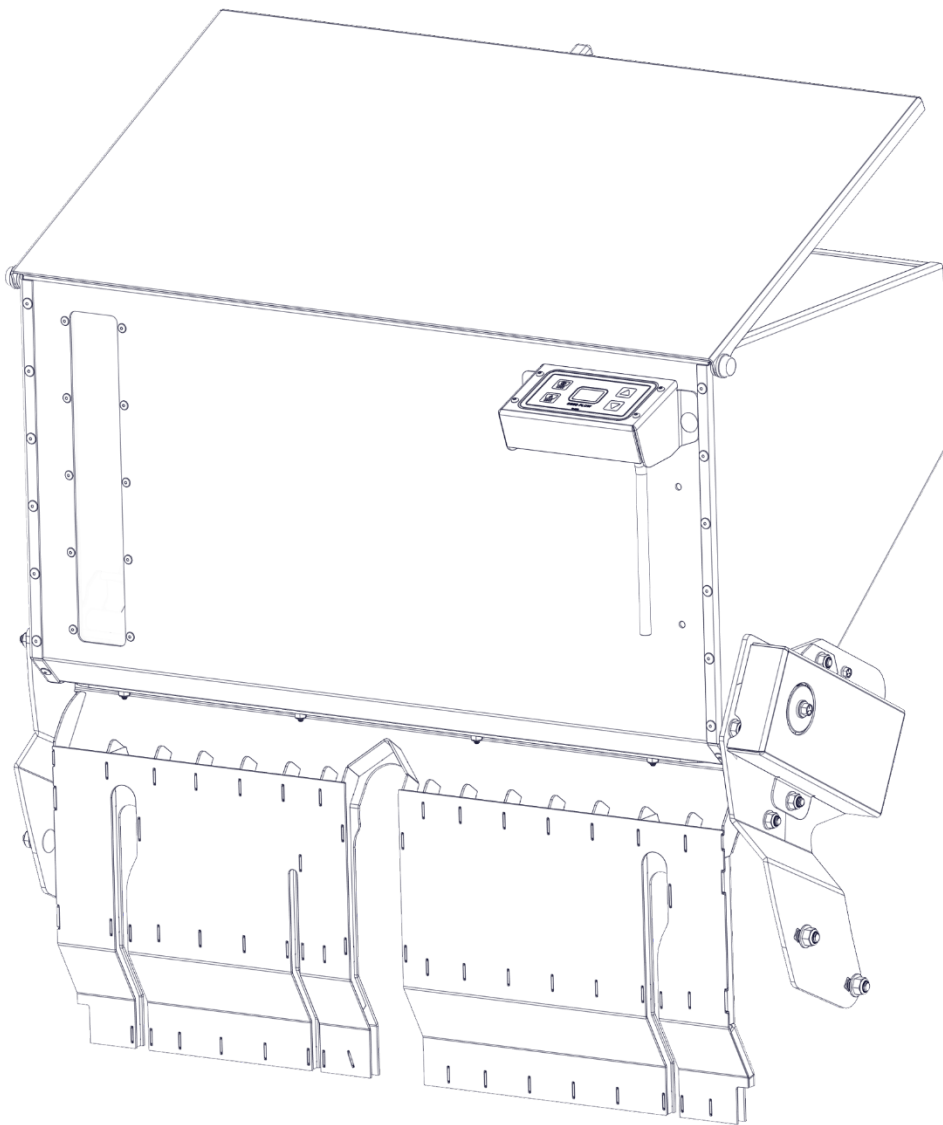
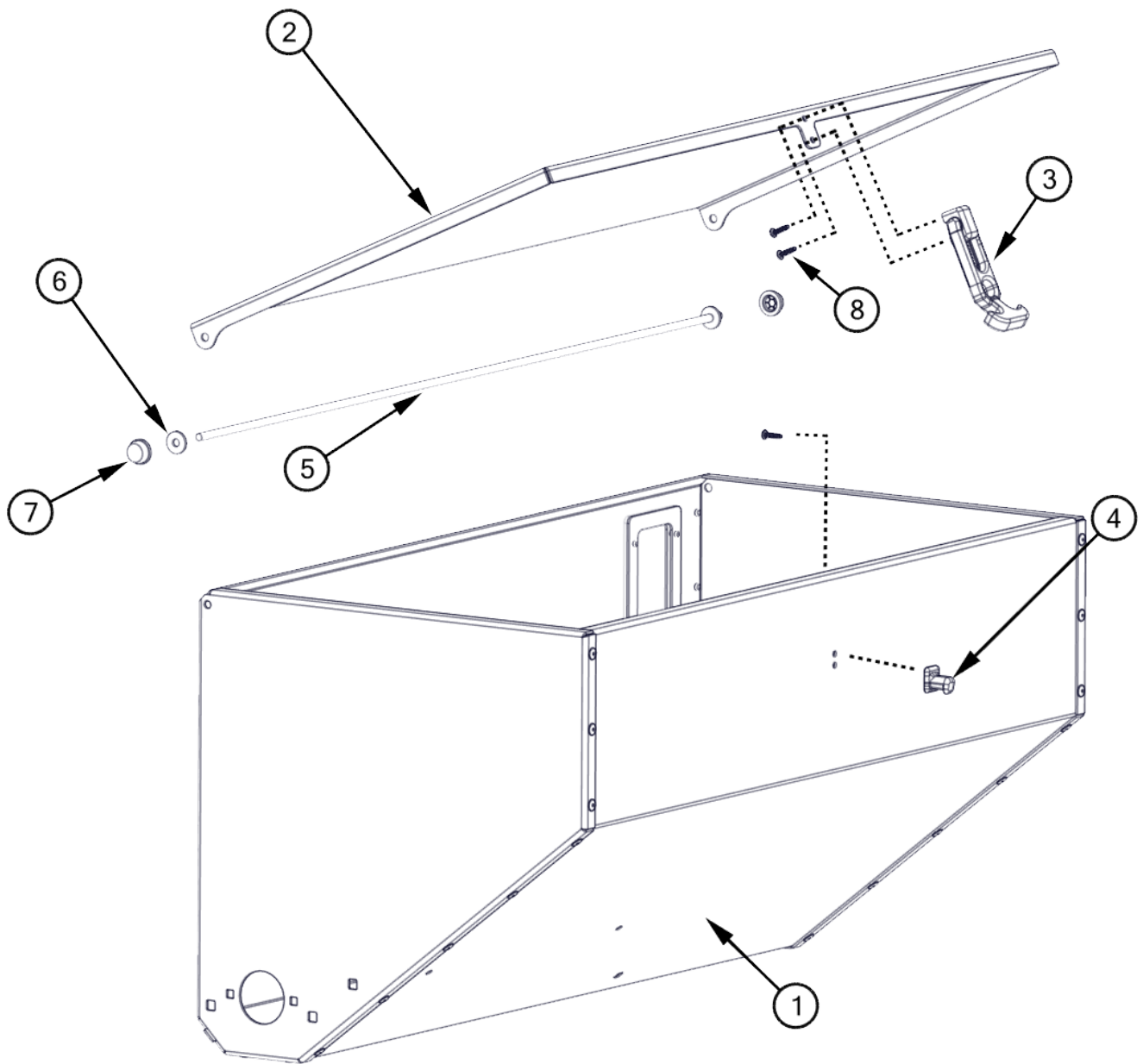


Stinger Equipment
30" Seed Box Parts Manual
SN SB30-10000 through SB30-present
Revised 7/22/20

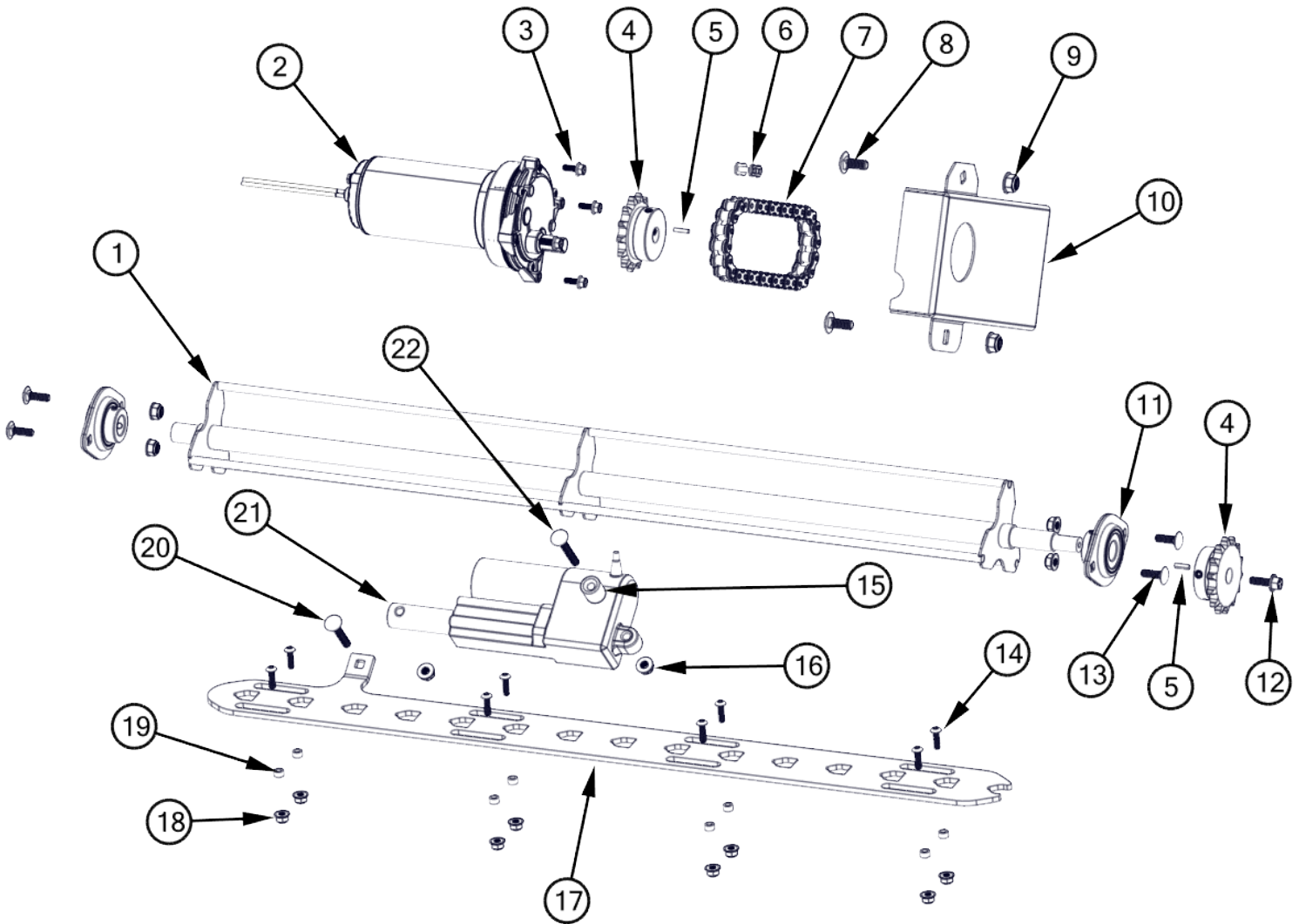


Seed Box ASM



Item	Name	Description	Qty
1	20-3034	Seed Hopper ASM	1
2	10-3036	Seeder Lid	1
3	30-3047	Latch	1
4	30-3048	Latch Stud	1
5	10-3037	Hinge Rod	1
6	30-3065	Nylon Washer 1/4 ID	2
7	30-3072	1/4" End Cap	2
8	30-3070	#8-16 x .625 Screw	3

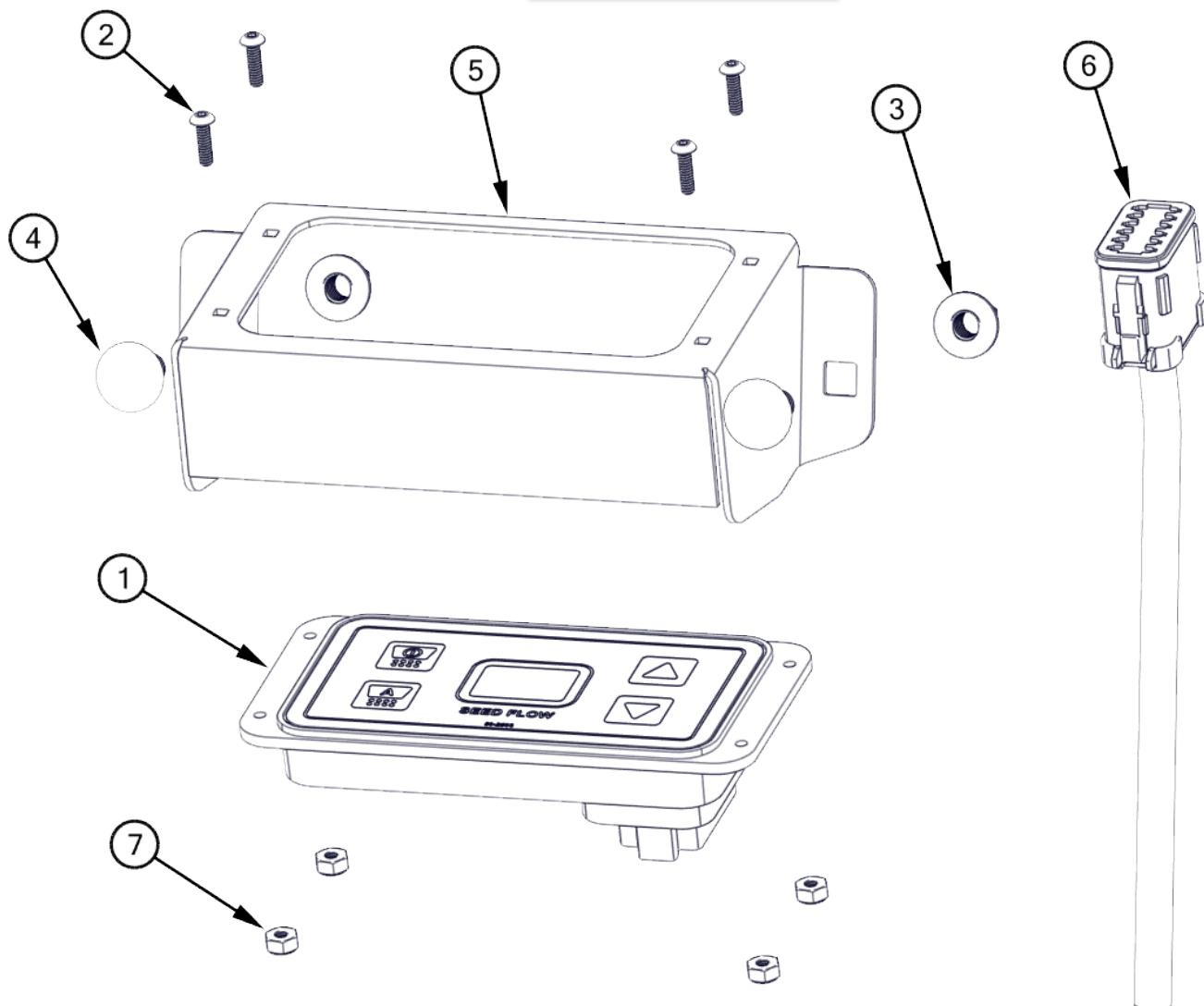
Mixer ASM



Item	Name	Description	Qty
1	20-2713	QA30 Seeder Mixer	1
2	10-2743	Mixer Motor	1
3	30-3069	10-32 x 0.5 Flange Hex Bolt	4
4	40-2793	Sprocket #40 14t 1/2" Bore	2
5	30-3368	Key Stock 1/8 x 1/8 x 1/2	2
6	40-0121	#40 Chain Master Link	1
7	20-3279	Chain & Master Link	1
8	30-0412	5/16-18 x 0.75 SN Carriage Bolt	2
9	30-0051	5/16-18 Flange Nylock Nut	2
10	10-3052	Chain Cover	1
11	40-2792	5/8" Flange Bearing	2
12	30-0069	1/4-20x0.75" Serrated Flange Bolt	1

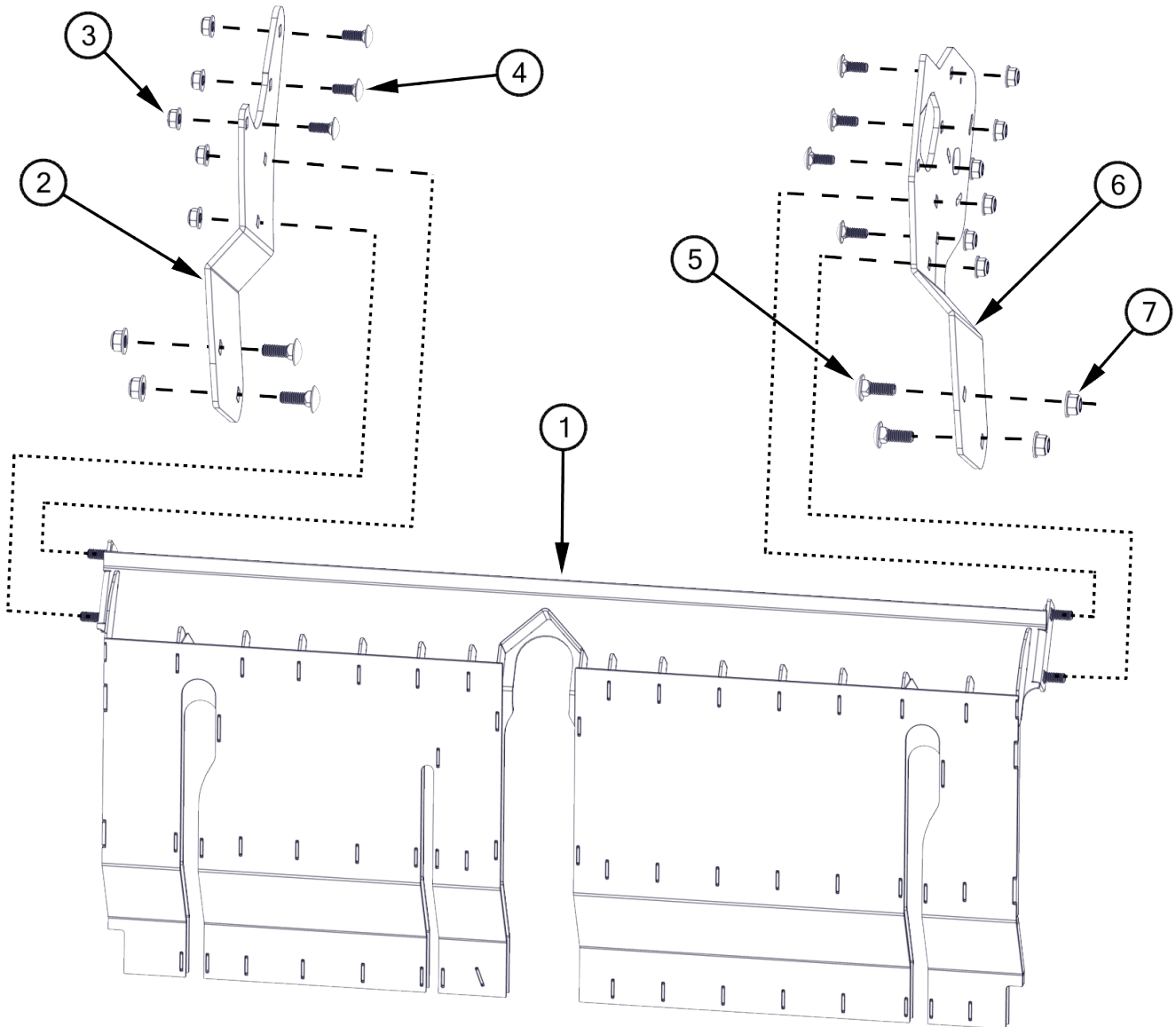
Item	Name	Description	Qty
13	30-0943	1/4-20 x 0.75 SN CB	4
14	30-3367	#10-24 x .625 BH Cap Screw	8
15	10-3044	Actuator Spacer	1
16	30-0061	1/4-20 Flange Nylock Nut	6
17	10-2715	QA30 Seed Gate	1
18	30-0103	#10-24 Flange Nyloc Nut	8
19	30-2795	Seedgate spacer	8
20	30-3068	1/4-20 x 1.5 CB	1
21	10-2716	Actuator	1
22	30-3067	1/4-20 x 1.75 CB	1

Controller ASM



Item	Name	Description	Qty
1	20-2851	Controller ASM	1
2	30-1959	#6-32 x 0.50 BH Cap Screw	4
3	30-0051	5/16-18 Flange Nylock Nut	2
4	30-0412	5/16-18 x 0.75 SN Carriage Bolt	2
5	10-3043	Control Bracket	1
6	50-1710	Drop Seeder Harness	1
7	30-1960	#6-32 Nyloc Nut	4

Seed Chute ASM



Item	Name	Description	Qty
1	20-3365	Seed Deflector	1
2	10-3041	Left Side Bracket	1
3	30-0051	5/16-18 Flange Nylock Nut	11
4	30-0412	5/16-18 x 0.75 SN Carriage Bolt	11
5	30-0381	3/8-16" x 1.00" Carriage Bolt	4
6	10-3042	Right Side Bracket	1
7	30-0105	3/8-16 Nyloc Flange Nut	4